



SET-UP SHEET

Race time / Lap: _____

Best lap: _____

Name: Marty Korn/GS-USA

Date: _____

Track: G.S. KZ Speedway

Track Conditions

Size: Open Med. Tight
 Traction: High Med. Low
 Surface: Smooth Med. Bumpy

Diff. Oil

Front: # 7,000cps

Center: # 10,000cps

Rear: # 500cps

Engine

Type: Medial Pro M3K

Gasket: _____ mm Exhaust: 9886

Plug: Medial Pro Nova 7 Fuel: 30%

Tire

Front Type: Medial Pro Vega Green

Front Foam: Firm

Rear Type: Medial Pro Vega Green

Rear Foam: Firm

Clutch

Clutch shoes: Stock Aluminum

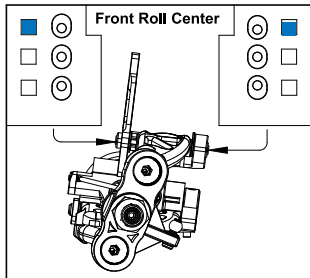
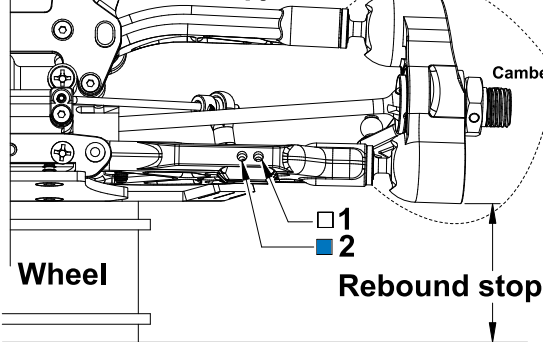
Spring: Stock mm

Clutch bell / Spur gear: 13/44

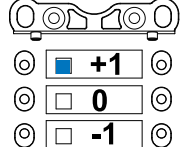
Front Suspension

- 1
- 2
- 3
- 4
- 5

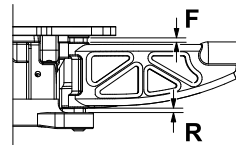
- 6
- 7
- 8
- 9
- 10



Front Anti-squat



Caster angle



Front Shocks

Oil: 50wt

Pistons: 1.5mm x2

Spring: Blue

Spacer: 7 mm

Track width 305 mm

Camber insert Upper none mm

Camber angle -1:5 Lower only washers mm

Caster F 0 mm

R 4 mm

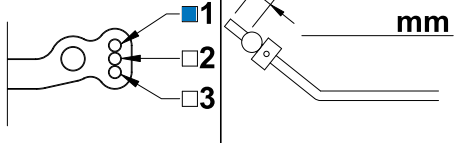
Toe angle +0.5 each side

Rebound stop 20 mm

Sway bar Use 2.3 mm

None

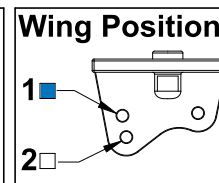
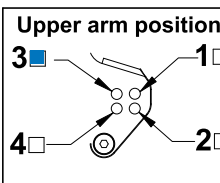
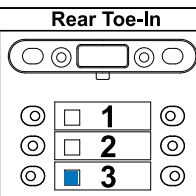
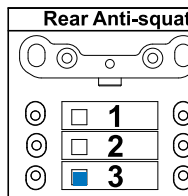
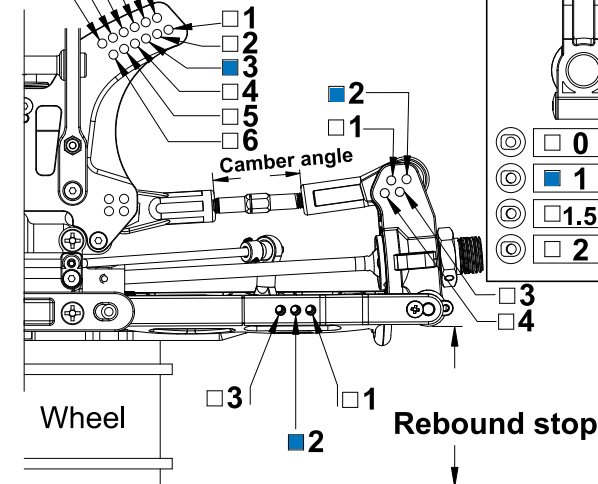
Steering Ackerman



Notes: Lower arms just above level

Rear Suspension

- 7
- 8
- 9
- 10
- 11
- 12



Camber angle -2.5, 36.5 mm

Rebound stop 20 mm

Wheelbase adjustment F 3 mm

R 1 mm

Sway bar Use 28 mm

None

Rear Shocks

Oil: 30wt

Pistons: 1.5mm x2

Spring: Blue

Spacer: 7 mm

Notes: Lower arms level

