



SET-UP SHEET

Race time / Lap: _____

Best lap: _____

Name: **Georg Horninger**
 Date: **17.-19.Feb 2006**
 Track: **Indoor Holland**

Track Conditions

Size: Open Med. Tight
 Traction: High Med. Low
 Surface: Smooth Med. Bumpy

Diff. Oil

Front: # **Storm Traction**
 Center: # **5000**
 Rear: # **2000**

Engine

Type: **PICCO P7R EVO**
 Gasket: _____ mm
 Muffler: **Mielke 2041**
 Plug: **PICCO P5**
 Fuel: **compEdition Racing Fuel 25%**

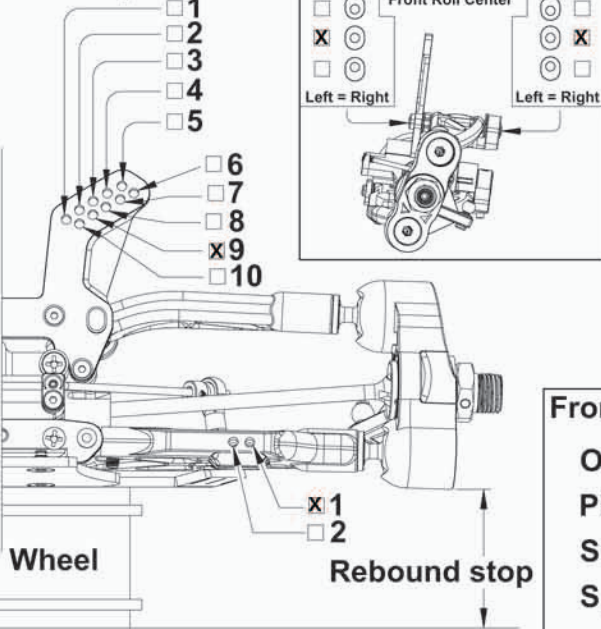
Tire

Front Type: **Panther Hedge Hog MS** Rear Type: **Panther Hedge Hog MS**
 Foam: **Panther White** Foam: **Panther White**

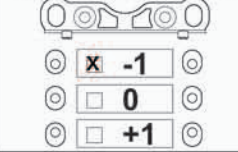
Clutch

Clutch shoes: **Mielke 3 Pad Clutch**
 Spring: **Mielke** _____ mm
 Clutch bell / Spur gear: **14/44**

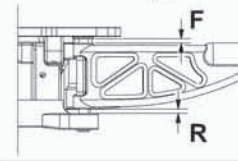
Front Suspension



Front in-Board Toe



Caster angle



Front Shocks

Oil: **GS 35**
 Pistons: **Orig.**
 Spring: **Bleu**
 Spacer: **5** mm

Track width _____ minimum mm

Camber angle Upper **6°** mm

Lower _____ mm

Caster angle F **All** mm

R **0** mm

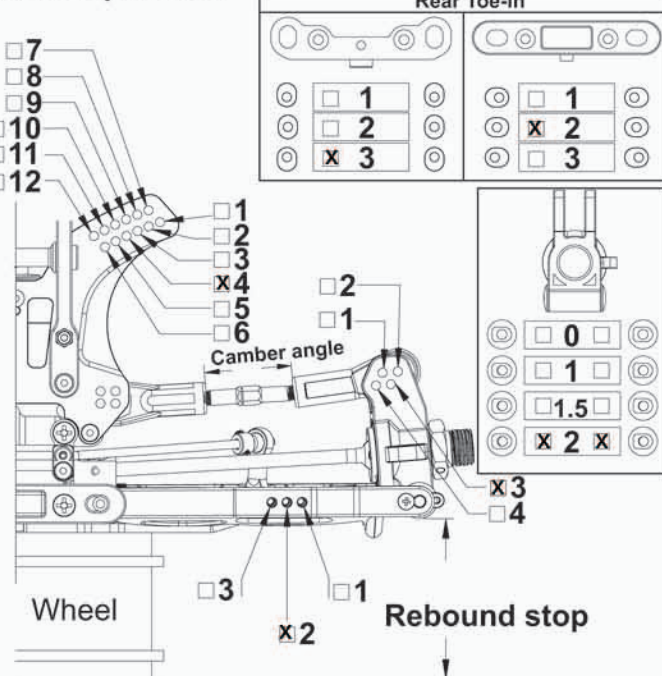
Toe angle _____ +1°

Rebound stop _____ Max mm

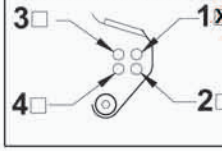
Sway bar Use **2,3** mm

None

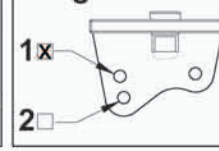
Rear Suspension



Upper arm position



Wing Position



Camber angle **5°** mm

Rebound stop _____ Max mm

Wheelbase adjustment F **0** mm Front

R max mm

Sway bar Use **2,8** mm

None

Rear Shocks

Oil: **GS 30**
 Pistons: **1x 1,9mm**
 Spring: **Fioroni Grey**
 Spacer: **2** mm

Notes:

Clearance : 27 mm